

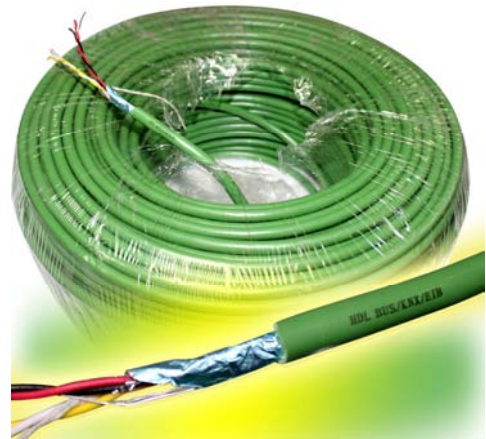
Parameters

Parameters:	
Cable Description	4 core, Aluminum foil shield , ground line
Copper Wire Diameter	0.75~0.85mm
Cable Diameter	7.0~8.0mm
Conductor Resistance(20°C)	<35 ohm/km
Insulation Resistance(70°C)	>5X106ohm/km
Impedance	120 ohm
Cable withstand Voltage	AC 300V
Twisted Pair	2 Twisted pair (red and black, white and yellow)
Twisted No.	40/m
Environmental Conditions:	
Working temperature	-20°C~85°C
Working relative humidity	10%~98%
Storage temperature	-40°C~+100°C
Storage relative humidity	10%~98%

Definition for Cable

HDL-Buspro/KNX	HDL- Buspro	HDL-KNX/EIB
Red	DC24V	Positive
Black	COM	Negative
White	DATA -	N/A
Yellow	DATA +	N/A

Overview



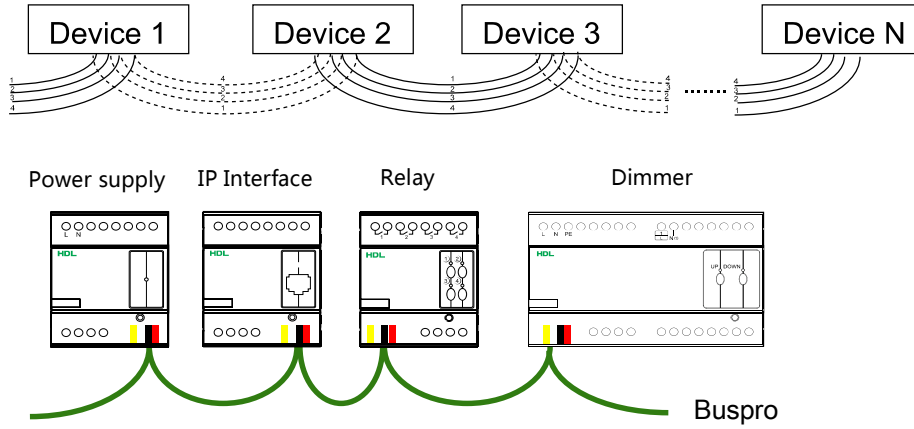
HDL-Buspro & KNX/EIB 4 core shield cable is the specific cable for HDL devices which use aluminum foil twisted pair. As HDL - Buspro and KNX/EIB cable, it is very convenient for wiring connection

Functions

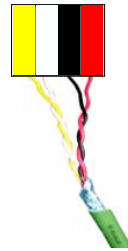
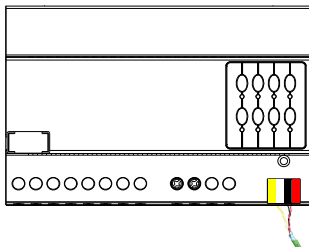
- 4 core shield cable: red, black, white, yellow.
- Strong signal transmission capability.
- Strong anti-jamming capability.

HDL-Buspro System Diagram

Recommended connection: hand in hand



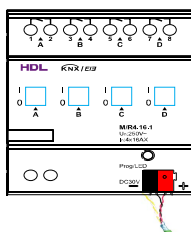
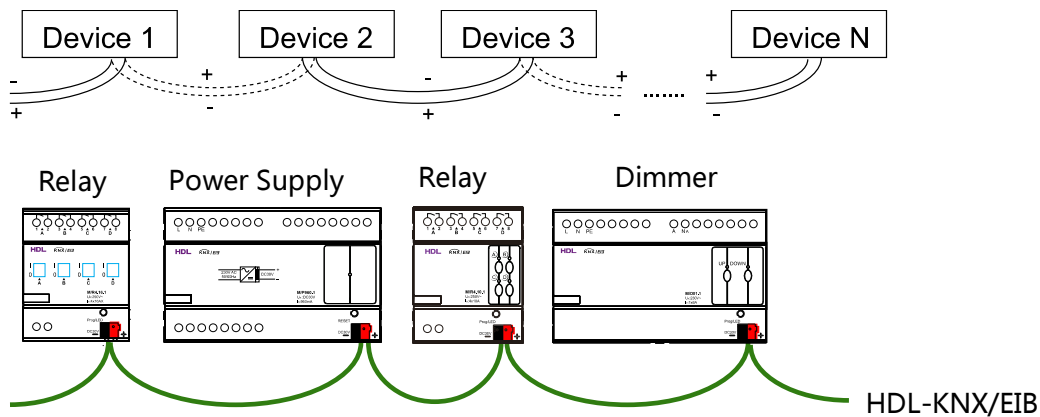
HDL-Buspro Wiring Diagram



The Buspro is defined in the previous page

KNX/EIB System Diagram

Recommended connection: hand in hand or star connection



The Buspro is defined in the previous page

