

Parameters

Electrical Parameters:	
Buspro power supply	DC12-30V
Buspro power consumption	20mA/DC24V
Sensitivity setting range	1-100
Detective rang	110° , radius 8 m
Environmental Conditions:	
Working temperature	-5°C~45°C
Working relative humidity	Up to 90%
Storage temperature	-20°C~+60°C
Storage relative humidity	Up to 93%
Approved	
CE	
RoHS	
Product Information:	
Dimensions	106×60.2×60(mm)
Weight	123(g)
Housing material	ABS
Installation	Ceiling mount
Protection degree	IP20

Important Notes

- Buspro cable — CAT5E or HDL Buspro/KNX cable
- Buspro connection — Series connection (hand-in-hand).
- Installation — Indoor, Ceiling-mount or wall-mount, keep it away from AC outlet away from the heat producer
- Environment temperature — Under 36°C

Safety Precautions



- The screw down strength should not exceed 0.1Nm
- Do not make wrong connection on Buspro interface, it will damage the Buspro interface of this module.
- Do not get AC power into Buspro wire , it will damage all devices in the system.

Overview



SB-WMS-PIR wall-mount infrared motion sensor , it is very flexible and convenient as using cardan joint installation.

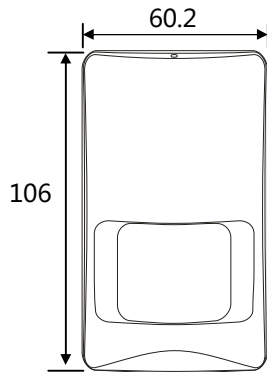
Functions

- Human movement detecting.
- Master-slave mode selectable.
- Detective sensitivity is adjustable.
- Departure delay time from 0 to 36000 second.
- Security function, to be used with the security module.
- Detection distance adjust via software.
- Communication: HDL Buspro

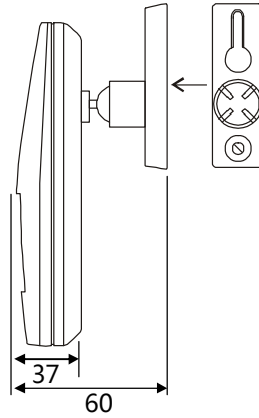
HDL Buspro Definition for Cable

CAT5/CAT5E	HDL Buspro	HDL Buspro/ KNX
Brown/ Orange	DC24V	Red
Brown white/ Orange white	COM	Black
Blue white/Green white	DATA-	White
Blue/ Green	DATA+	Yellow

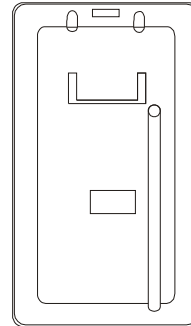
Dimensions and Wiring



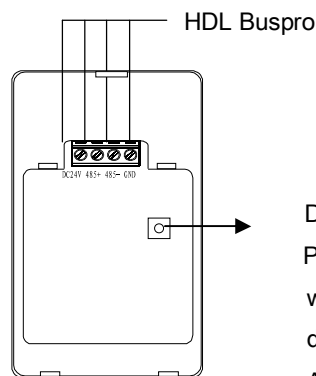
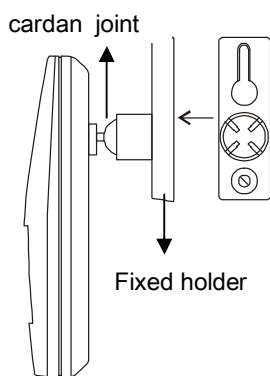
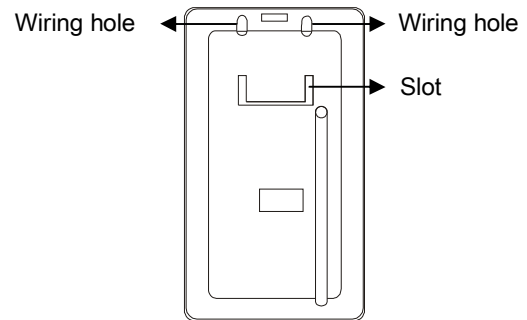
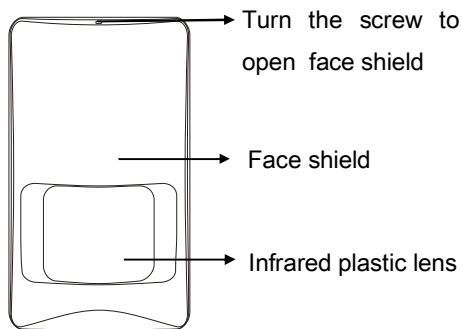
Front view



Side view



Back view



Interior structure

Device address setting button:
Press it for 3S, the red indicator will be on, then modify the address via HDL Buspro software. Address manage→modify address , read and modify the start address.

Packing List

■ Datasheet	×1
■ Wide Field PIR Sensor (SB-WMS-PIR)	×1