

Parameters

| Electrical Parameters: | |
|---------------------------|-------------------------------|
| Buspro power supply | DC12-30V |
| Buspro power consumption | 9mA/DC24V |
| Temp detect scope | -20°C~70°C |
| Thermistor working Temp | -30°C~100°C |
| Environmental Conditions: | |
| Working temperature | -5°C~45°C |
| Working relative humidity | Up to 90% |
| Storage temperature | -20°C~+60°C |
| Storage relative humidity | Up to 93% |
| Approved | |
| CE | |
| RoHS | |
| Product Information : | |
| Dimensions | 45×40×13(mm) |
| Weight | 64.5(g) |
| Housing material | ABS |
| Installation | 86×86 back box, screw install |
| Protection degree | IP20 |

Important Notes

- Buspro cable — CAT5E or HDL Buspro/KNX cable
- Buspro Connection — Series connection (hand-in-hand)
- Check Connection — Re-tighten all connections after installation
- Custom Thermistor — 2-40k/25°C
- Wiring—The thermistor limited in 2.5m
- Installation—Indoor and ceiling-mount

Overview



SB-MTS04.20 4-Zone Temperature Sensor is an accessory for home automation system, could be used for detecting temperature for different areas.

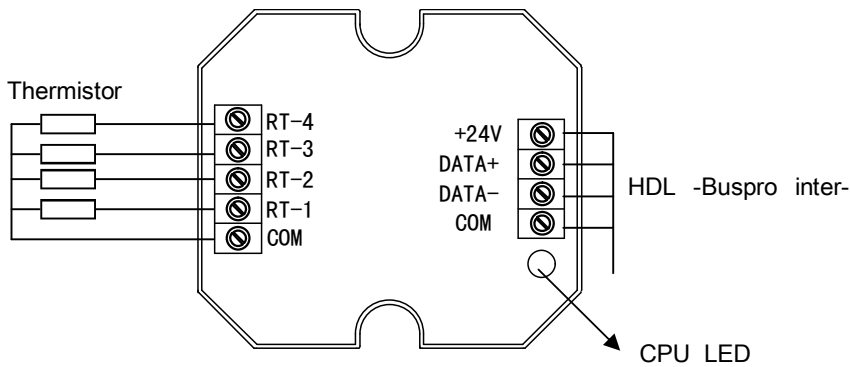
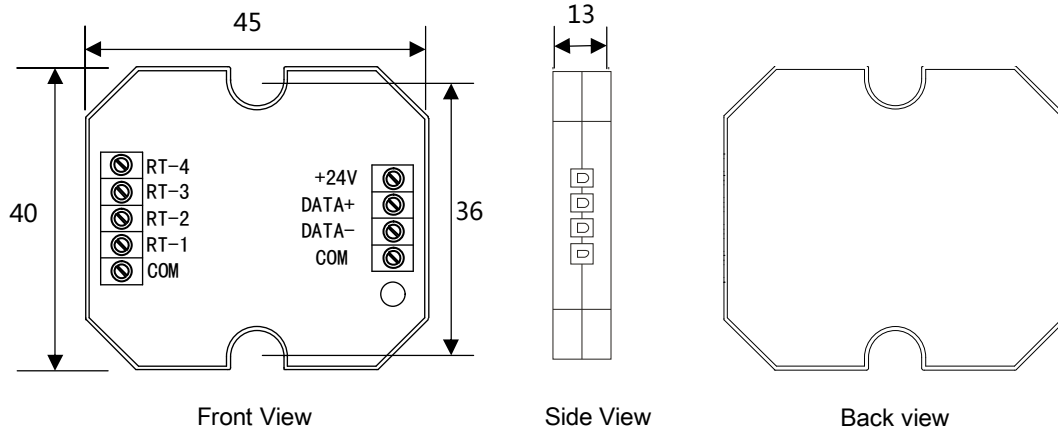
Functions

- 4-Zone temperature detecting.
- Option HDL Thermistor or custom thermistor for each zone. If you use custom thermistor, you need to set few point in custom indexing table.
- Communication interface: HDL Buspro.
- Upgrade firmware by HDL Buspro.
- Detecting range of temp. from -20°C to 70°C.
- Supports upgrade from HDL Buspro.

HDL Buspro Definition for Cable

| CAT5/CAT5E | HDL Buspro | HDL Buspro/KNX |
|---------------------------|------------|----------------|
| Brown/ Orange | DC24V | Red |
| Brown white/ Orange white | COM | Black |
| Blue white/Green white | DATA- | White |
| Blue/ Green | DATA+ | Yellow |

Dimensions and Wiring



Safety Precautions



- The screw down strength should not exceed 0.1Nm
- Do not make wrong connection on Buspro interface, it will damage the Buspro interface of this module
- Do not get AC power into Buspro wire , it will damage all devices in the system
- Avoid contact with liquids and corrosive gases

Packing List

- | | |
|------------------------------------|----|
| ■ Datasheet | ×1 |
| ■ Temperature sensor (SB-MTS04.20) | ×1 |

