

Parameters

Electrical Parameters:	
Working voltage	12-30VDC
Power consumption	
Ports	6
Devices for each port	0-63
Communication	HDL Buspro
Environment Conditions:	
Working temperature	- 5°C~45°C
Working relative humidity	<90%
Storage temperature	-20°C~+60°C
Storage relative humidity	<93%
Approved:	
CE	
RoHS	
Product Information:	
Dimension	72mm×90mm×66mm
Weight	139g
Housing material	Nylon, PC
Installation	35mm Din rail installation
Protection degree	IP20

HDL Buspro Definition for cable

CAT5/CAT5E	HDL Buspro	HDL Buspro/KNX
Brown/Orange	DC24V	Red
Brown white/Orange white	COM	Black
Blue white/Green white	DATA-	White
Blue/Green	DATA+	Yellow

Safety Precaution



- The screw down strength should not exceed 0.85Nm
- Installation Position: Distribution box (DB)
- Do not make wrong connection on Bus interface, it will damage the Bus interface of this module
- Never let liquids get into the module, it will damage this device
- Do not get AC power into Bus wire, it will damage all devices in the system
- Avoid contact with liquids and aggressive gases

Overview



HDL-MBR06.431 6 ports switch, works with 1 port IP interface (HDL-MBUS01IP.431). It is used for device extension and is convenience for wiring. Each bus cable can realize electric isolation. It has filter data and reduce the data.

Functions

- Filter data
- Check the data
- Supports 6 bus cables, each bus cable can connect up to 63 devices
- Communication: HDL Buspro
- Supports online upgrading

Important Notes

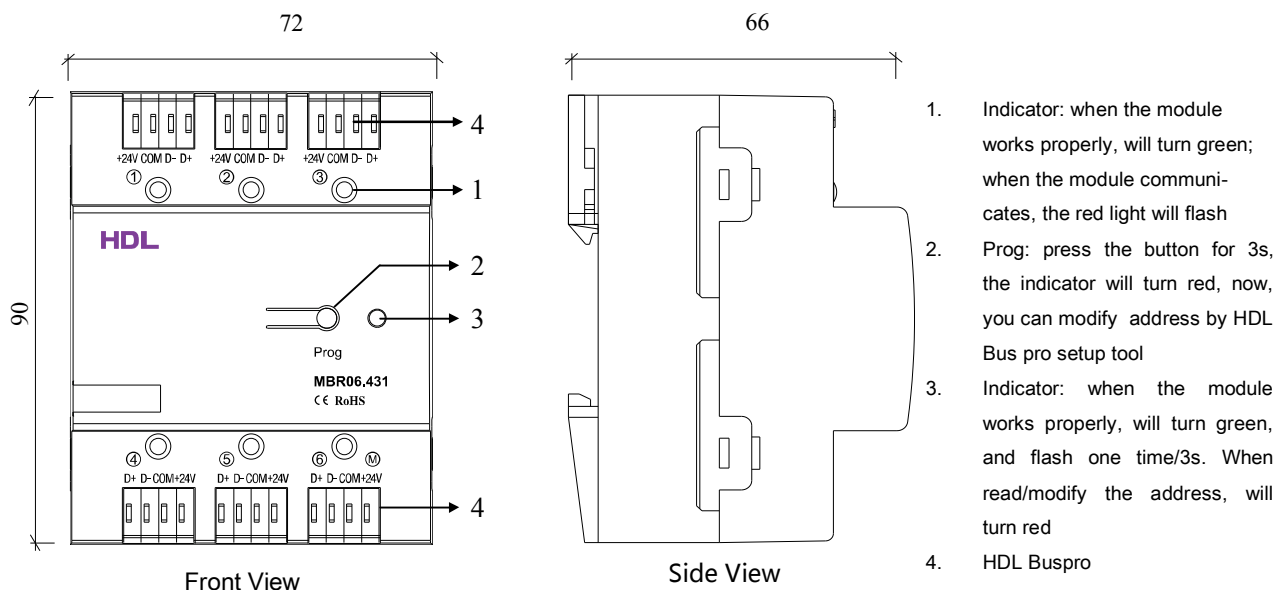
- When each bus cable connects to the device, needs to connect with the power supply
- The subnet ID should be same as the 1 port IP interface, and each device's device ID should be unique.
- The sixth port should connect with 1 port IP interface.
- In order to work properly, all ports must connect with power supply.
- Each bus cable can connect 63 devices.
- Bus cable - CAT5E or HDL Bus/KNX cable.
- Bus connection - Series connection (hand-in-hand)

Installation Steps

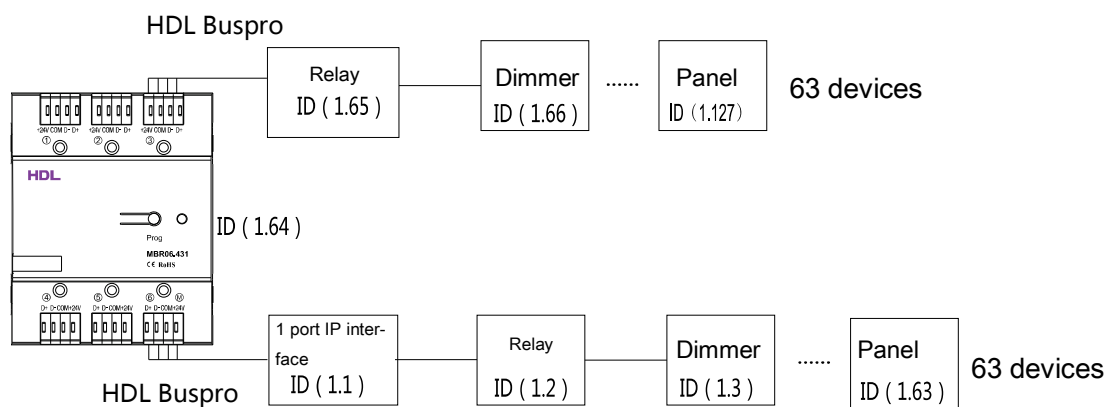
- 35mm DIN rail installation, inside DB Box.
- Connect HDL Buspro cable, RJ45 cable.
- Check the connection, avoid any mistakes.



尺寸与接线图



System chart (Take third and sixth ports as an example)



Note: this is only an example, users can set according to their requirements. But each port cannot more than 63 devices

Packing list

- HDL-MBR06.431 *1
- Datasheet *1